

## LED Bullet Flood Light

### DLC Premium Model Numbers

4BF30L30X1DW	4BF30L30X1DDW
4BF30L35X1DW	4BF30L35X1DDW
4BF30L40X1DW	4BF30L40X1DDW
4BF30L45X1DW	4BF30L45X1DDW
4BF30L50X1DW	4BF30L50X1DDW

Remarks: "X" short for B,W,BK optional.

### DESCRIPTION

PolyBrite's LED Bullet Flood light provides energy-efficient, directional lighting for landscape, facade, outdoor signs, and accent lighting, and many other commercial and residential applications. It's IP65 rated, sealed to prevent dirt, bugs and moisture. The product is constructed with precise die-casting aluminum housing, tempered and shatter-resistant glass for durability.

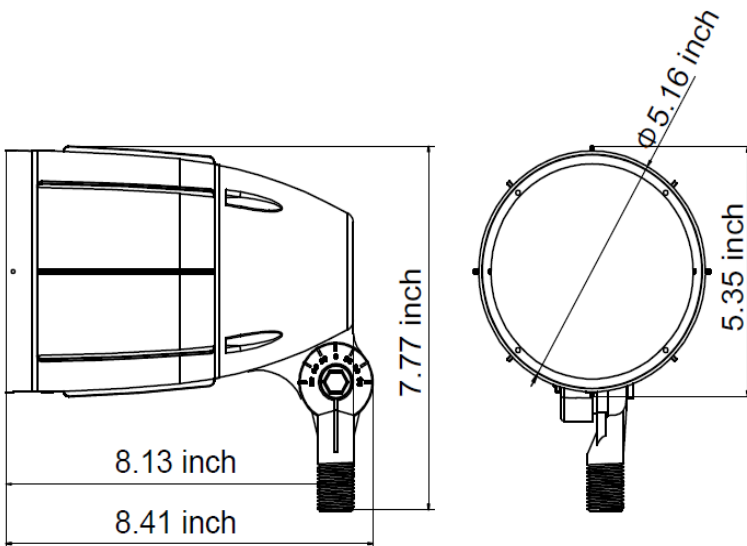
Replacing up to a 150-watt metal halide, the bullet flood is offered with 3000K, 3500K, 4000K, 4500K,5000K temperatures, and is available with 4 distributions. 12W and 30W are qualified by DLC and backed with 5 years warranty. It can be mounted to electrical boxes or posts, and features a locking swivel arm for angle adjustment.

### COMPLIANCE

- UL/cUL(E352762) listed
- LM79 / LM80 / IES available
- DLC premium listed (E.G. 4BF30L30X1DW)

### FEATURES

- High quality Nichia chips deliver over 116.92 lumens per watt.
- UL/cUL high quality driver.
- UL 1598 listed for wet locations.
- Universal voltage:120 - 277-Volt.
- Precise die-casting aluminum housing with integral cooling Fin.
- Superior Architectural Bronze Powder Coat Finish.
- Available in 4 distribution angles.
- Waterproof & Durable High-temperature Silicone Gaskets.
- 100,000+ hours lifespan, top quality with 5 years warranty.
- UL/cUL certificate (E352762), DLC Premium.



\* This product, or selected versions of this product, meet the standards listed below. Please consult factory for your specific requirements.



Due to our continued efforts to improve our products, product specifications are subject to change without notice.

# LED Bullet Flood Light

## SPECIFICATIONS

Items	Details
Model No.	4BF30L50X1DW
Input Power	30W
Input Voltage	AC100~277V
Luminous Flux	3193.1 lm @5000K
Efficiency	116.92 lm/W
LED Source	Nichia LED
Color Temp	3000K/3500K/4000K/4500K/5000K
Beam Angle	60°
CRI	≥76.4
Driver	UL/cUL Listed Driver
Power Factor	≥0.909
Fixture Material	Aluminium + Tempered glass
Fixture Surface	Bronze
IP Rating	IP65
Operating Temp	- 30°C to 45°C
Replacement	100W MH/HPS
Dimension	8.41" L x 5.35" W x 7.77" H
Weight	1.3kg
Testing Reports	LM79, LM80, IES available
Warranty	6 years
Qualifications	UL/cUL(E352762), DLC premium listed (E.G. 4BF30L30X1DW)

## Ordering Guide

## EXAMPLE: 4BF30L50B1DW

Light type	Wattage	Voltage	CCT	Finish	Driver	Dimming	Distribution	Shroud
4BF=LED bullet flood	30=30W	L=100-277V H=347-480V	30=3000K 35=3500K 40=4000K 45=4500K 50=5000K	B=Bronze W=White BK=Black	1=UL driver	D=Dimmable Blank=Non dimmable	DT=Distribution Tight DN=Distribution Narrow DM=Distribution Medium DW=Distribution Wide	Z=With Shroud Blank=Non Shroud

## LED Bullet Flood Light

### SAFETY INFORMATION

#### WARNING

ONLY QUALIFIED PERSONNEL SHOULD PERFORM INSTALLATION. TO AVOID ELECTRICAL SHOCK OR COMPONENT DAMAGE, DISCONNECT POWER BEFORE ATTEMPTING INSTALLATION OF THE FIXTURES.

#### PRIOR TO INSTALLATION

Before installing fixtures, read and understand all cautions, warnings, instructions, and product labels. Failure to do so could result in injury and/or void the warranty.

#### MAINTENANCE

The unit is designed for years with minimum care. For optimum performance, periodically clean the reflector and lens with a mild, non-abrasive glass cleaner and soft cloth. Do NOT use solvents or cleaners containing abrasive agents. When cleaning the fixture, make sure you have the power turned off and do not spray liquid cleaner directly onto the LED, socket, or wiring.