

by PolyBrite International, Inc.

## Specifications

Model#	APS-40W-600-RFK-1 or APS-52W-RFK-1
Description	2x4Ft LED Troffer Retrofit Kit
Power	40W/52W
Voltage Input	AC120~277V 50~60HZ
Lumen output	3800lm/5200lm
Color Temperature	4000K
CRI	Ra>80
Housing Finish	Steel base with white powder coating
Application	Indoor Only
Lens	Frosted diffuse PC lens
Operating Temp.	-20 °C ~ 55 °C
IP Rating	IP20
Certificates	ETL/cETL(file# 4007551), DLC
warranty	5 years
Life Span	50,000 hours
Dimmable	0~10V dimmable
Item Weight	6.8 Kg (14.96 lbs)
Product Dimension	For 2'X4' troffer (533.4 x 1185 mm)
Pack Size	1pc
Packaging Dimension	48.4"L x 24.4"W x 3"H (1229.36 x 619.76 x 76.2 mm)



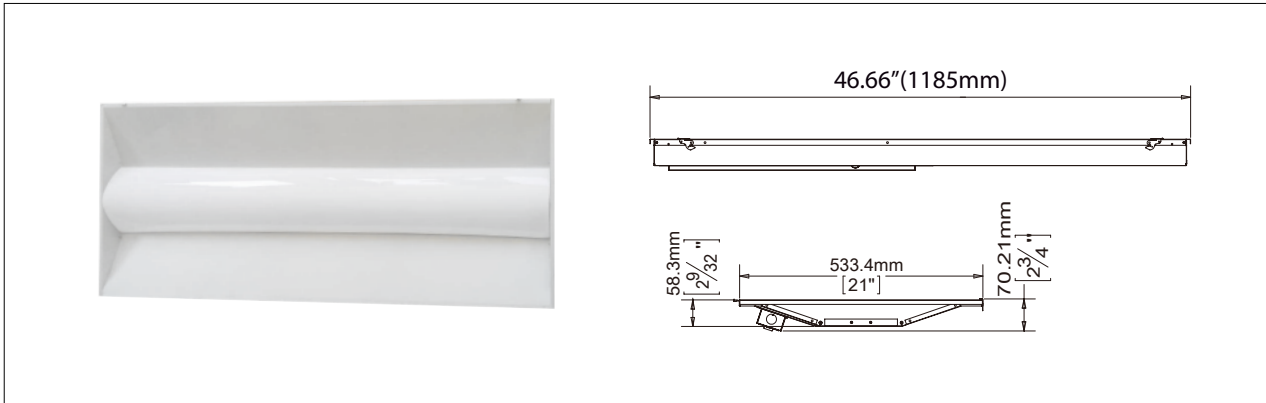
## Order Information

Item Number	Description	Power	Voltage Input	Dimmable	CCT	Lumen Output	Certificates
APS-40W-1200-RFK-1 APS-40W-1200-RFK-1	2x4Ft LED Troffer Retrofit Kit	40W 52W	120~277Vac	Optional	3000k 4000k 5000k	3800lm 5200lm	ETL/cETL, DLC

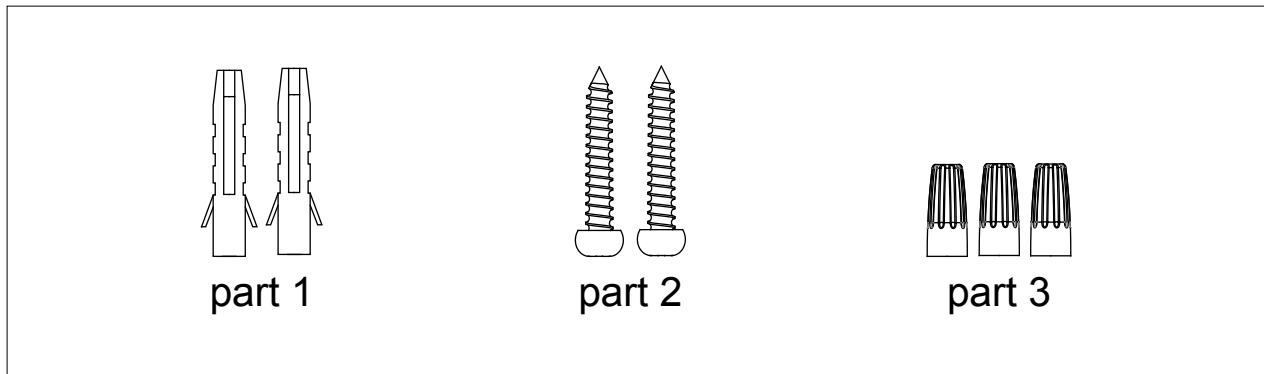


**LM79**  
**LM80**

## Dimensions and Pictures



## Accessories (optional)



## Accessories package List

Part	Description	Quantity
1	Toggle Nut	2
2	Screw	2
3	Wire Nuts	*1or3

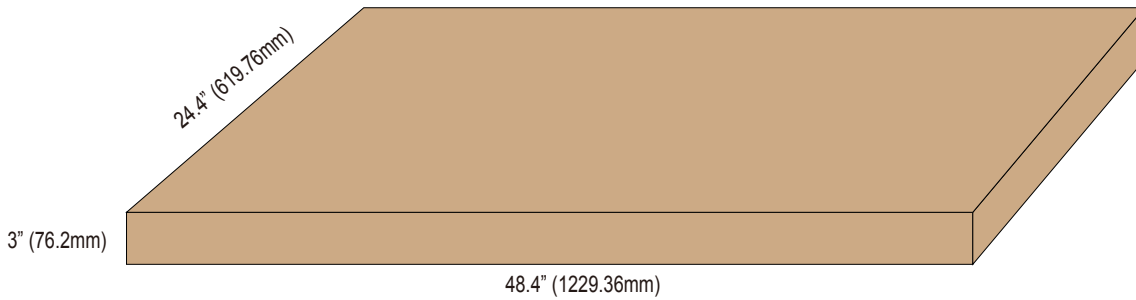
Note:  
3 wire nuts for dimmable version,  
1 wire nut for non-dimmable version.



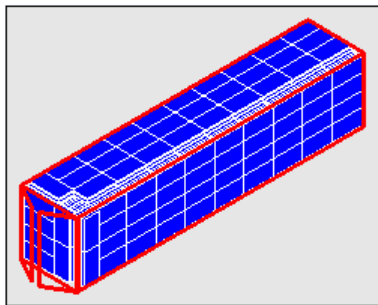
**LM79**  
**LM80**

### Packaging

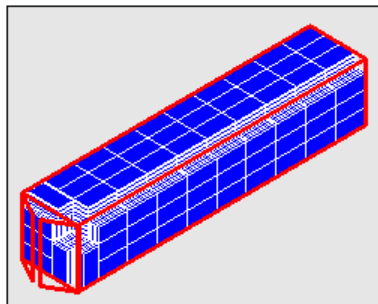
1pc/CTN G.W.: 9.36 kg Dimension: 48.4"L x 24.4"W x 3"H (1229.36 x 619.76 x 76.2 mm)



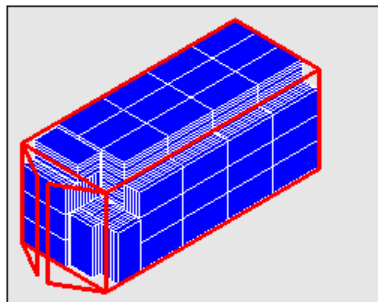
### Container Loading QTY



Size	Carton QTY	Product QTY	Volume	G.W.
40'hq	1098 ctn	1098 pcs	72.91m <sup>3</sup>	10277.28kg



Size	Carton QTY	Product QTY	Volume	G.W.
40'gp	941 ctn	941 pcs	62.48 m <sup>3</sup>	8807.76 kg



Size	Carton QTY	Product QTY	Volume	G.W.
20'gp	450 ctn	450 pcs	29.88m <sup>3</sup>	4212kg



**LM79**  
**LM80**