

## Specifications

Model#	APS-40W-600-RFK-1/APS-26W-600-RFK-1
Description	2x2Ft LED Troffer Retrofit Kit
Power	40W/26W
Voltage Input	AC120~277V 50~60HZ
Lumen output	5400lm/3510lm
Color Temperature	4000K
CRI	Ra>80
Housing Finish	Steel base with white powder coating
Application	Indoor Only
Lens	Frosted diffuse PC lens
Operating Temp.	-20 °C ~ 55 °C
IP Rating	IP20
Certificates	ETL/cETL(file# 4007551), DLC
warranty	5 years
Life Span	50,000 hours
Dimmable	0~10V dimmable
Item Weight	4.1 Kg (9.02 lbs)
Product Dimension	For 2'X2' troffer (533.4 x 533.4mm)
Pack Size	1pc
Packaging Dimension	24.4"L x 24.4"W x 3"H (619.76x619.76x76.2 mm)



## Features

Quick Installation for each retrofit kit which only takes five minutes.  
 0-10V dimmable function helps to reduce operation cost.  
 135 lumens per watt helps to reduce pay back period of energy saving.  
 50000 hours working time and 5 years warranty  
 California T24 compliant

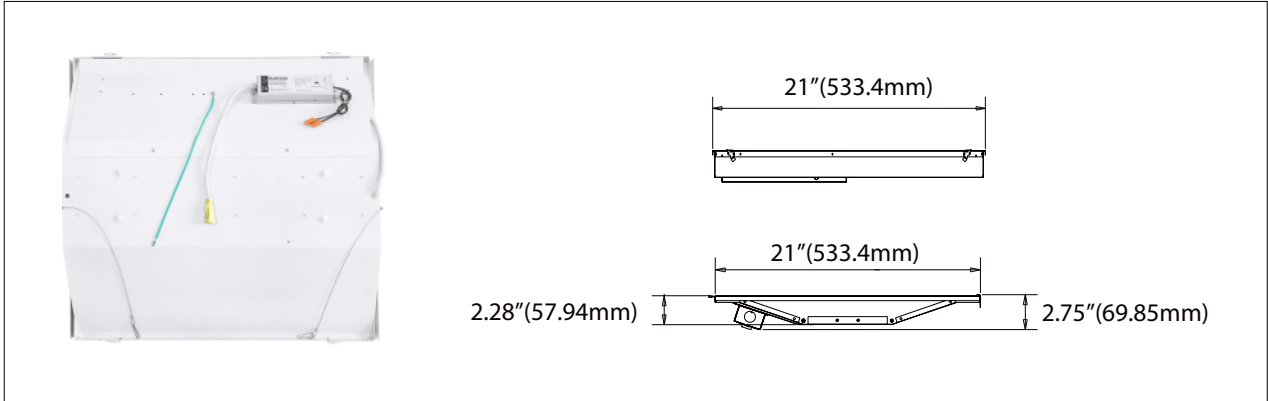
## Order Information

Item Number	Description	Power	Voltage Input	Dimmable	CCT	Lumen Output	Certificates
APS-40W-600-RFK-1	2x2Ft LED Troffer Retrofit Kit	40W	120~277Vac	Optional	3000k 4000k 5000k	5400lm	ETL/cETL, DLC
APS-26W-600-RFK-1	2x2Ft LED Troffer Retrofit Kit	26W	120 to 277Vac	Optional		3510lm	

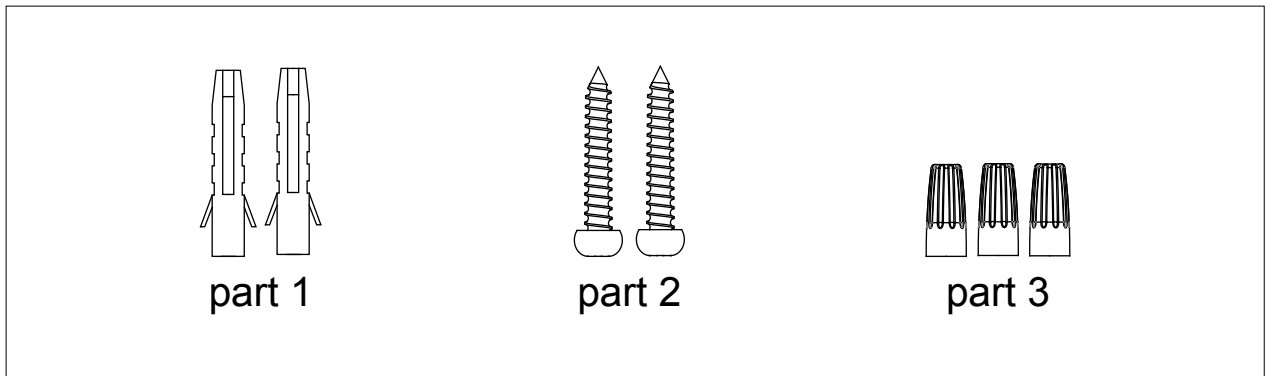


LM79  
LM80

## Dimensions and Pictures



## Accessories (optional)



## Accessories package List

Part	Description	Quantity
1	Toggle Nut	2
2	Screw	2
3	Wire Nuts	*1or3

Note:  
3 wire nuts for dimmable version,  
1 wire nut for non-dimmable version.