

## UL LED Troffer Light(0-10V Dimming)



### Features

#### 1. Visual uniformity

The back-lit LED troffer produces a very soft natural light and gives a comfortable lighting environment with a radiant cover.

#### 2. LED efficiency

high lumen LED efficacy, 100lm/w(DLC 4.2 standard version)&125LM/W(DLC 4.2 premium version) for option.

#### 3. Luminaire construction

Powder coat painted die-rolling iron housing, with fireproof junction box on the back for electronic connection, PC cover with milky color for lighting distribution.

#### 4. Driver

Universal voltage 100-277VAC with integral 0-10V dimming system, no flicker. For non-dimming requirements, do not connect to dimming control during installation.

#### 5. Cost and energy saving

- 50% or more energy saving than fluorescent tubes
- low heat generation, extra energy savings through reduction of HVAC load.
- Easy installation: only 3 steps in 2 minutes, labor cost saving

#### 6. Long life time

more than 50,000 hours life time and 5 years warranty.

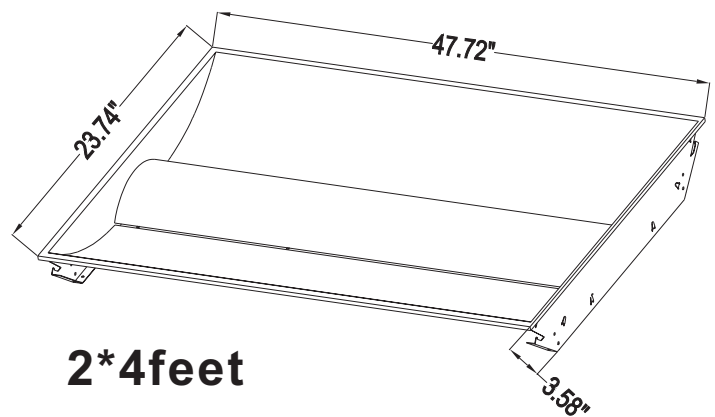
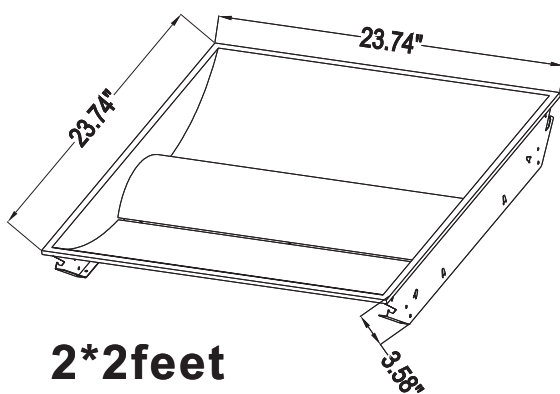
## Specifications

Model	CCT	SIZE (feet)	Color	LED Type	Lumen(lm) (±10%)	CRI	Beam angle	Power(W) (±10%)	Voltage (V)	Dimmer	Current (A)	PF
APS-40W-600-50K-4	5000K	2*2	cool white		4200 lm	≥80	110°					
APS-40W-600-40K-4	4000K	2*2	natural white	2835	4140 lm	≥80	110°	40W	AC100-277V 50/60Hz	0-10V	0.5	>0.95
APS-40W-600-30K-4	3000K	2*2	warm white		4040 lm	≥80	110°					
APS-30W-600-50K-4	5000K	2*2	cool white		3810 lm	≥80	110°					
APS-30W-600-40K-4	4000K	2*2	natural white	2835	3750 lm	≥80	110°	30W	AC100-277V 50/60Hz	0-10V	0.5	>0.95
APS-30W-600-30K-4	3000K	2*2	warm white		3720 lm	≥80	110°					
APS-40W-600-50K-5	5000K	2*2	cool white		5200 lm	≥80	110°					
APS-40W-600-40K-5	4000K	2*2	natural white	2835	5080 lm	≥80	110°	40W	AC100-277V 50/60Hz	0-10V	0.5	>0.95
APS-40W-600-30K-5	3000K	2*2	warm white		5040 lm	≥80	110°					
APS-50W-1200-50K-4	5000K	2*4	cool white		5200 lm	≥80	110°					
APS-50W-1200-40K-4	4000K	2*4	natural white	2835	5100 lm	≥80	110°	50W	AC100-277V 50/60Hz	0-10V	0.5	>0.95
APS-50W-1200-30K-4	3000K	2*4	warm white		5000lm	≥80	110°					
APS-40W-1200-50K-4	5000K	2*4	cool white		5080 lm	≥80	110°					
APS-40W-1200-40K-4	4000K	2*4	natural white	2835	5040 lm	≥80	110°	40W	AC100-277V 50/60Hz	0-10V	0.5	>0.95
APS-40W-1200-30K-4	3000K	2*4	warm white		5000 lm	≥80	110°					
APS-50W-1200-50K-5	5000K	2*4	cool white		6350 lm	≥80	110°					
APS-50W-1200-40K-5	4000K	2*4	natural white	2835	6300 lm	≥80	110°	50W	AC100-277V 50/60Hz	0-10V	0.5	>0.95
APS-50W-1200-30K-5	3000K	2*4	warm white		6250 lm	≥80	110°					

## Applications

General lighting such as offices,hotels,home,shops,hospitals,schools.

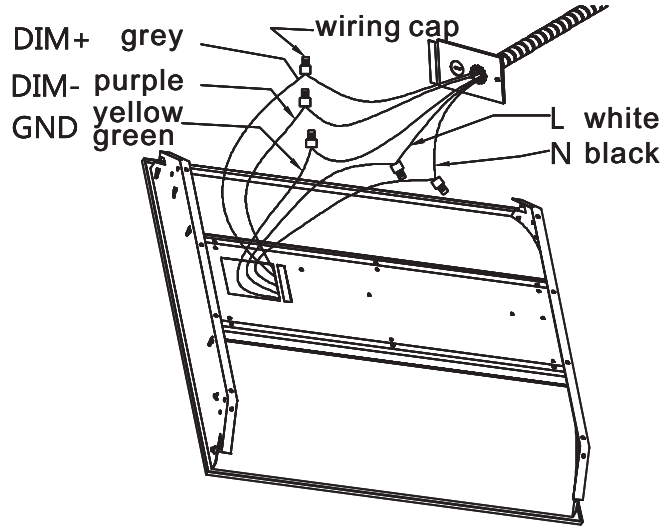
## Dimensions (Unit: feet)



All dimension tolerances is +0.5mm unless otherwise noted.

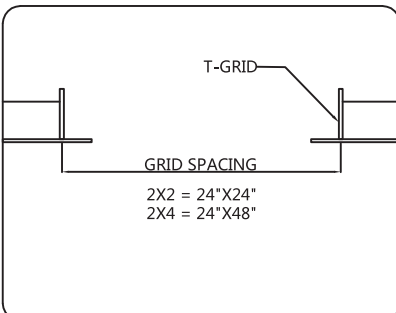
## Electrical Connection

2\*2feet /2\*4feet

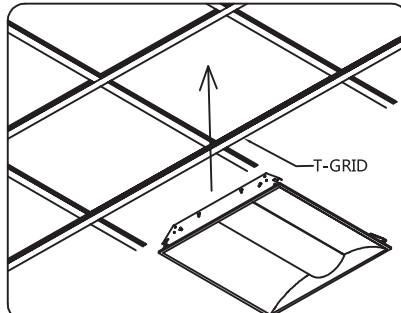


## Installation Instructions

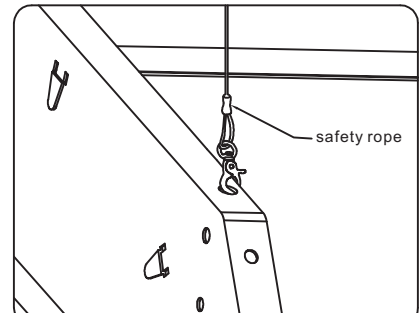
Embedded Installation



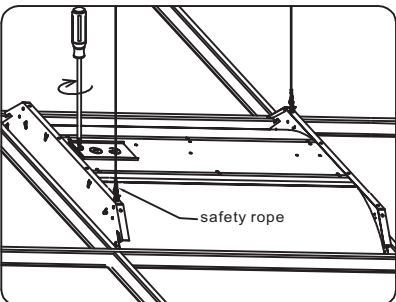
1. Before installation, confirm whether there is enough space;



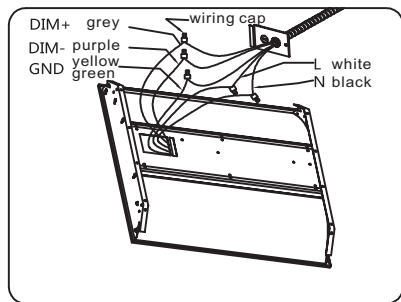
2. Place the lamp into T-GRID;



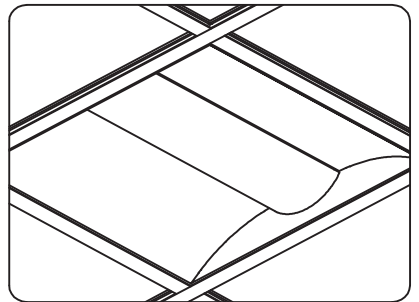
3. Install safety cable in two positions of opposite angles;



4. Unscrew junctin box in the back with tools;



5. Connect wire as figure(wiring cap just for reference);



6. Installation finished

## Product packaging information:

2*2	2*4
<ul style="list-style-type: none"> <li>● Net weight/PC:3.5 kg</li> <li>● Gross weight/CTN: 17.6 kg</li> <li>● Inner size: L687*W670*H252mm</li> <li>● Carton size: L700*W540*H720mm</li> <li>● 2pcs/inner box,2 inner boxes/carton.</li> </ul>	<ul style="list-style-type: none"> <li>● Net weight/PC: 6.9 kg</li> <li>● Gross weight/CTN: 18.92 kg</li> <li>● Inner size: L1308*W687*H246mm</li> <li>● Carton size: L1332*W270*H716mm</li> <li>● 2pcs/inner box,1 inner boxes/carton</li> </ul>

### Notice

- 1.Please read the specification first, to make sure the service environment matches the condition in the specification before using.
- 2.Please confirm the applicable power supply before using.
- 3.Make sure to switch off product before connecting to the power supply to prevent electric shock.
- 4.Operation against rules may damage your property even harm your personal safety.
- 5.Preliminarily estimate required quantity of LED troffer lights, then according to the power rating of single troffer light to figure out the total power and design power supply plan.
- 6.Dangerous high voltage, Non-professionals are not allowed to maintain the products.
- 7.If the exterior flexible cable or wire is damaged, it must be exchanged by the supplier, its agent or other similarly qualified personnels to avoid dangers.